



Arkay Windows

TECHNICAL DOCUMENTS

Unifold

Unifold



UNIFOLD

THE EFFORTLESSLY SLIM
NEW FOLDING SLIDING
DOOR

With just a 120mm, glass-to-glass sightline,
UniFold will open up your room to the light and
bring the outside in, creating a functional, open
space for living, working and entertaining.

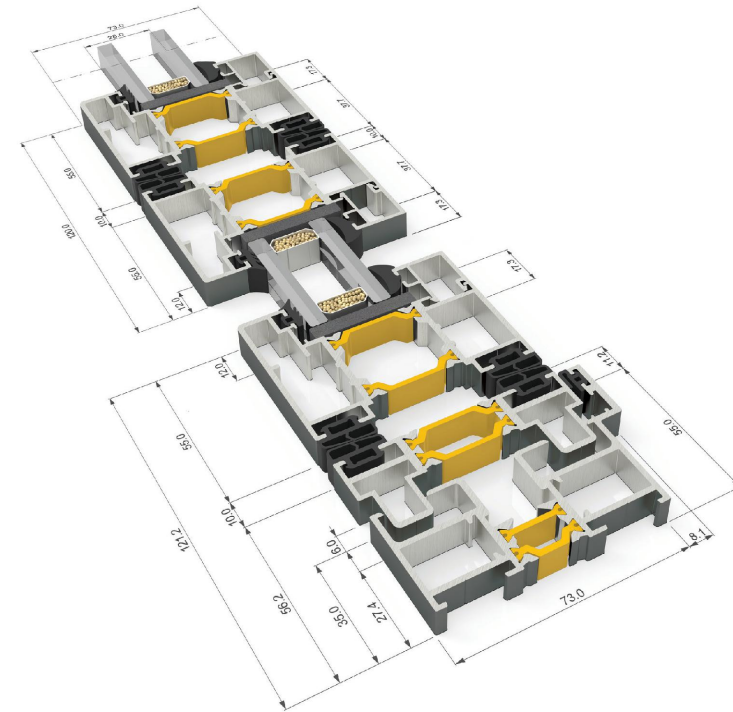
Slim 120mm glass-to-glass sightline

Fully Adjustable for ease of installation

Can achieve PAS 24 / Secured by design

Fully openable corners

Market beating prices



Size Limits

Maximum panel width	1200 mm
Maximum panel height	3000 mm
Maximum panel weight	120 kg

PERFORMANCE

U-VALUE	From 1.4 W/m ² K
AIR PERMEABILITY	Class 4
WATER TIGHTNESS	Class 9A
WIND RESISTANCE	Class A3

FRAME DEPTH	73 mm
GLAZING THICKNESS	24-44 mm
GLAZING METHOD	Internally beaded
MINIMUM SIGHTLINE	120 mm
ENHANCED SECURITY	PAS24

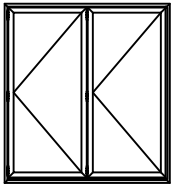
THRESHOLD HEIGHT

STANDARD	55 mm
DEEP	67.5 mm
LOW	40 mm
ULTRA LOW	20 mm

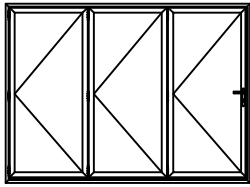
UNIFOLD - Contents

- 1.0 Typical Elevations
- 2.0 Standard Profiles
- 3.0 Typical Sections
 - 3.1 Threshold - Open Out
 - 3.2 Threshold - Low Threshold
 - 3.3 Threshold - Open In
 - 3.4 Head - Open Out
 - 3.5 Head - Open In
 - 3.6 Head - Trickle Vent + 20mm Add On
 - 3.7 Jamb - Hinged Open Out
 - 3.8 Jamb - Hinged Open In
 - 3.9 Interlock - T-Handle Open Out
 - 3.10 Interlock - T-Handle Open In
 - 3.11 Meeting - Traffic to Even Open Out
 - 3.12 Jamb - Traffic Door Open Out
 - 3.13 Jamb - Traffic Door Open In
 - 3.14 Meeting - Traffic to Odd Open Out
 - 3.15 Meeting - Even to Even Open Out
 - 3.16 Jamb - Even Configuration
 - 3.17 Threshold - Cill Options
 - 3.18 Threshold Cill Nose Option

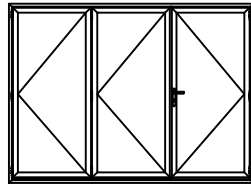
UNIFOLD- Typical Elevations



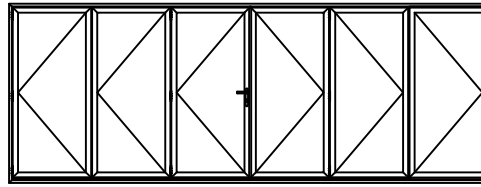
2 PANE - 220



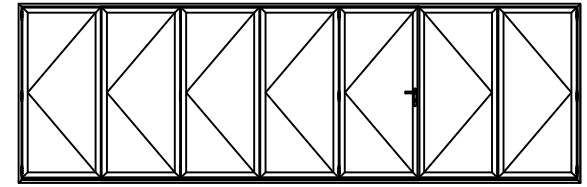
3 PANE - 330



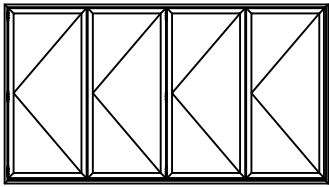
3 PANE - 321



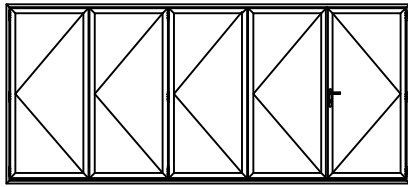
6 PANE - 633



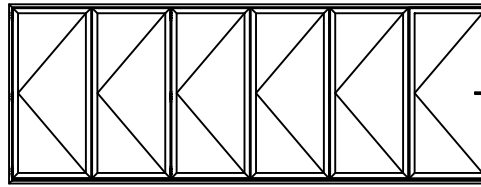
7 PANE - 752



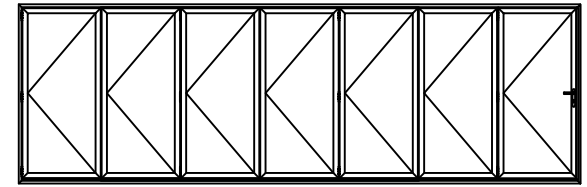
4 PANE - 440



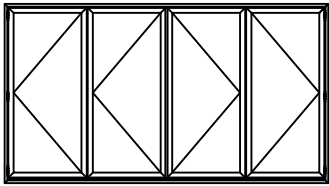
5 PANE - 541



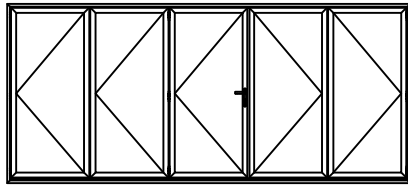
6 PANE - 660



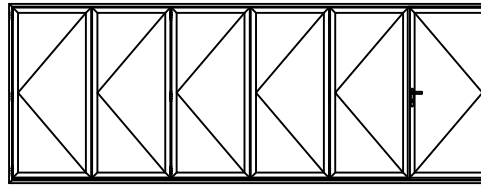
7 PANE - 770



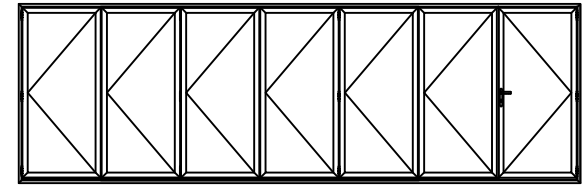
4 PANE - 422



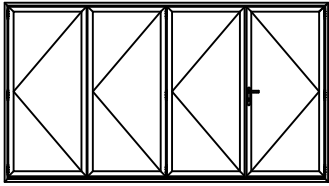
5 PANE - 532



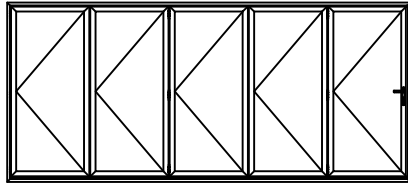
6 PANE - 651



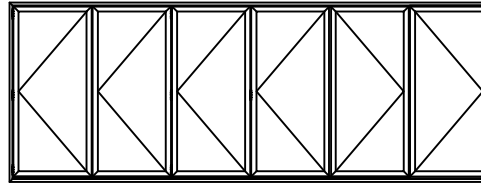
7 PANE - 761



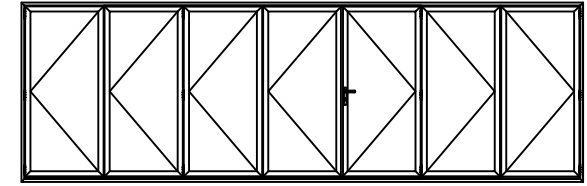
4 PANE - 431



5 PANE - 550



6 PANE - 642

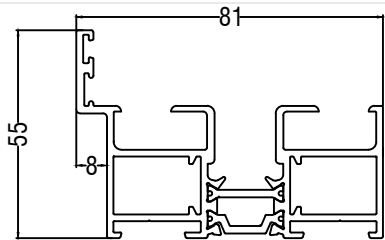


7 PANE - 743

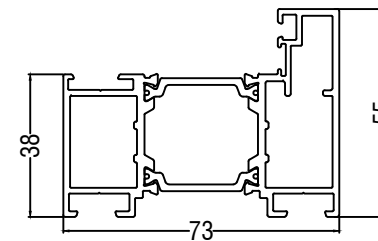
LOW THRESHOLD OPTION AVAILABLE

OPEN IN AND OPEN OUT CONFIGURATIONS AVAILABLE

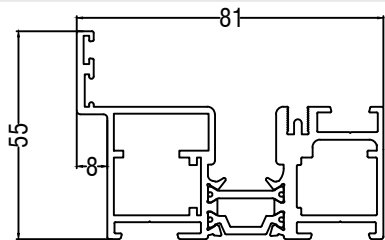
UNIFOLD- Standard Profiles



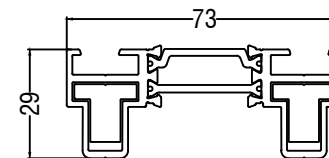
3731 - Outer Frame
(Head and Jamb)



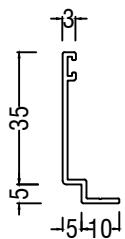
3721 - Slim Sash



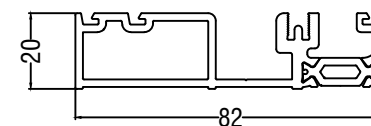
3730 - Outer Frame (Base)



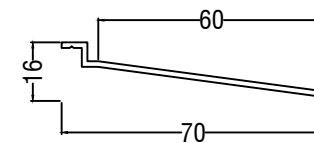
3740 - Adjustable Jamb



770229 - 35 mm Extension

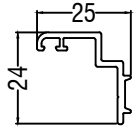


3740 - Low Threshold

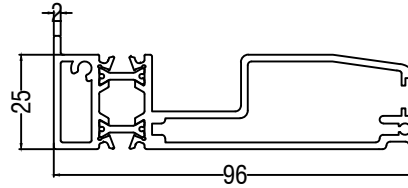


7056 - Cill Extension 70mm

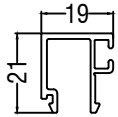
BSF 70 - Standard Profiles



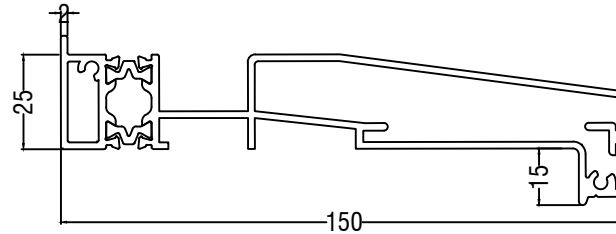
3746 - Swing Door Rebate (Adjustable Jamb)



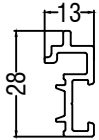
AL Uk AW570 - 95mm Stub Nose Cill



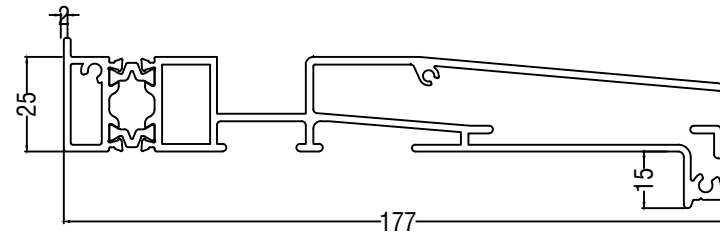
780 - 28mm DGU Glazing bead



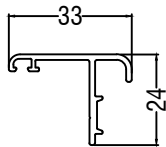
AL Uk AW542 - 150mm Drop Nose Cill



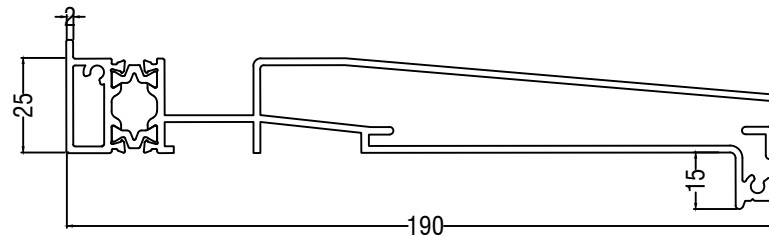
3743 - Multipoint lock add on



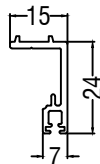
AL Uk AW543 - 177mm Drop Nose Cill



3745 - Swing Door Rebate



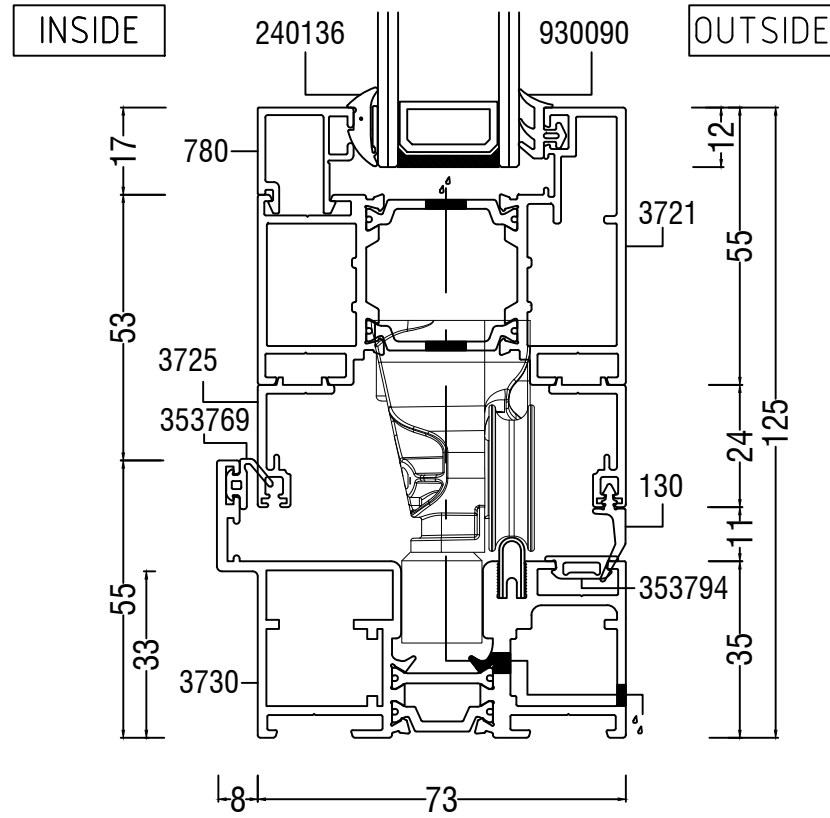
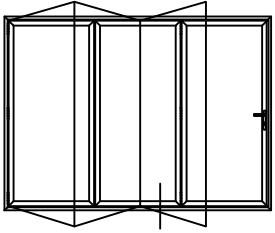
AL Uk AW544 - 190mm Drop Nose Cill



3725 - Sash Extension

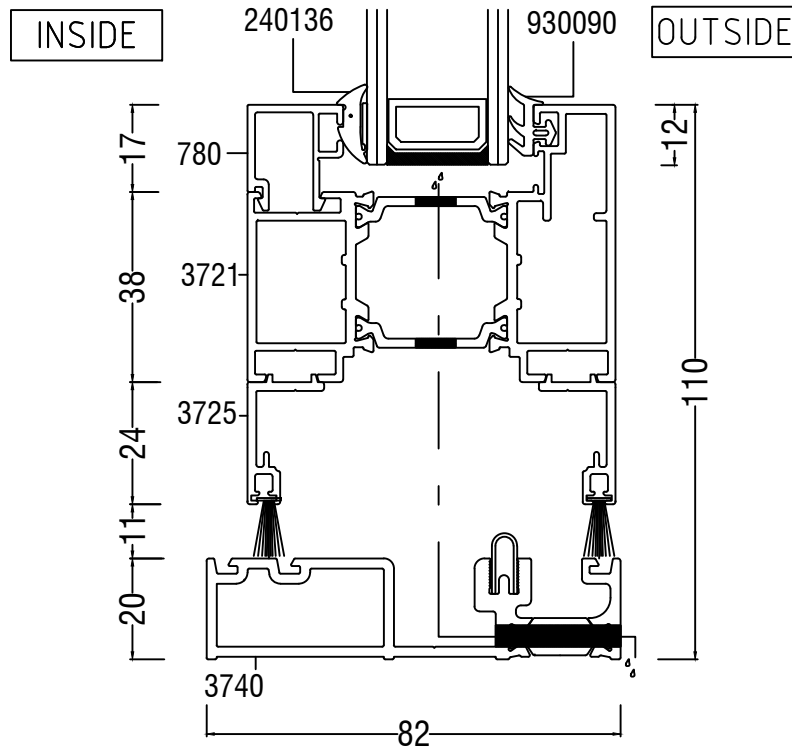
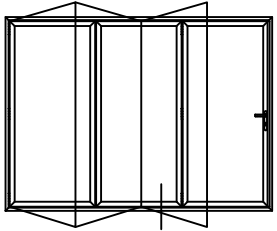
UNIFOLD - Typical Sections

Threshold - Open Out



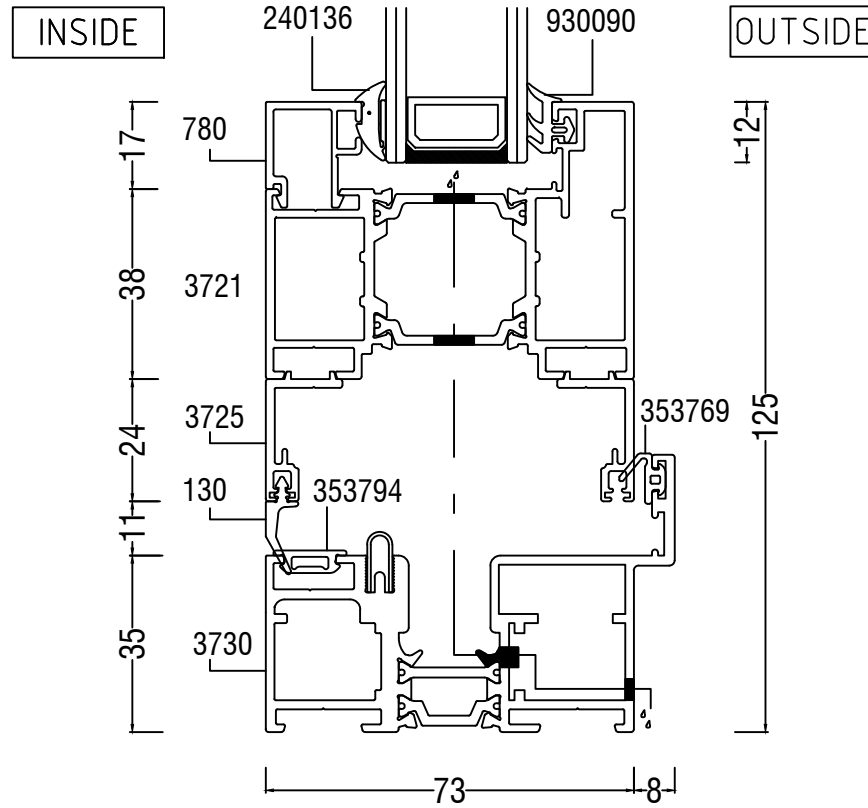
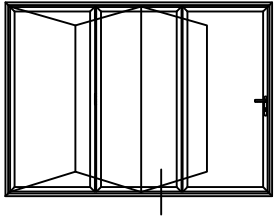
UNIFOLD - Typical Sections

Threshold - Low Threshold



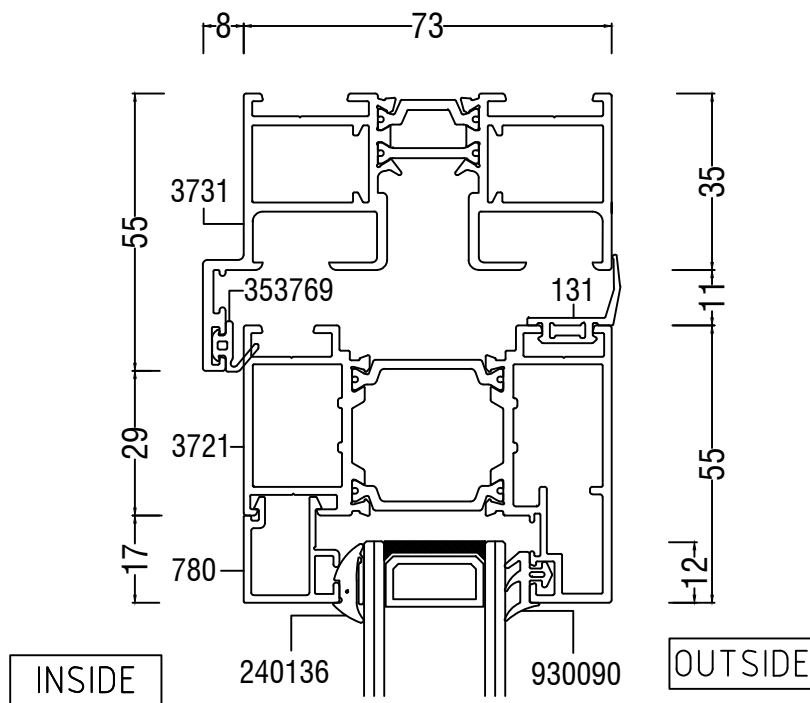
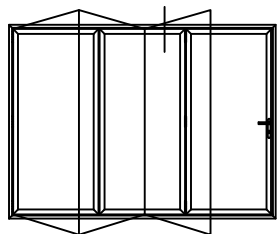
UNIFOLD - Typical Sections

Threshold - Open In



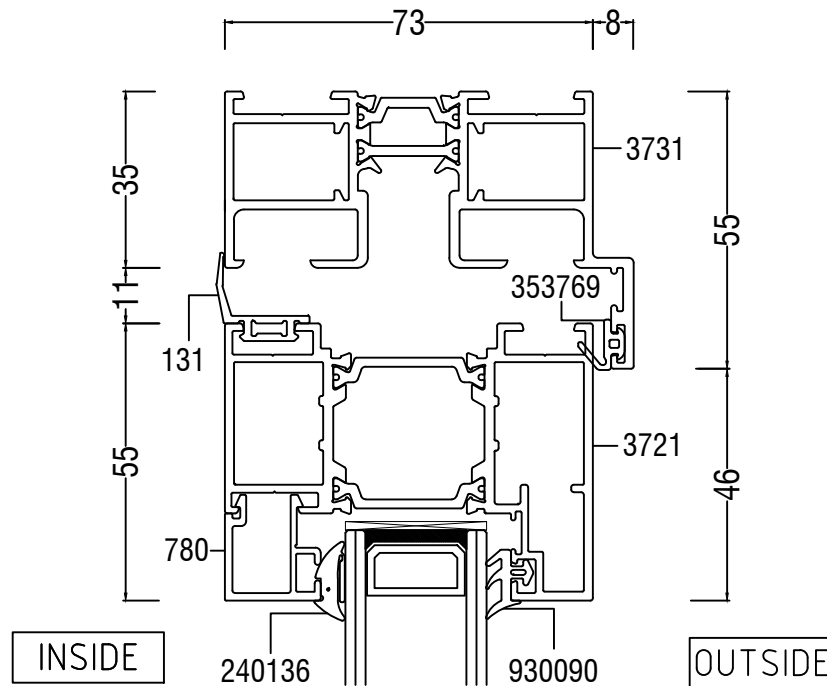
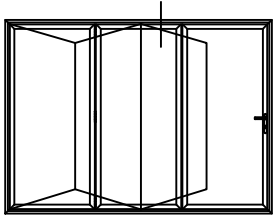
UNIFOLD - Typical Sections

Head - Open Out



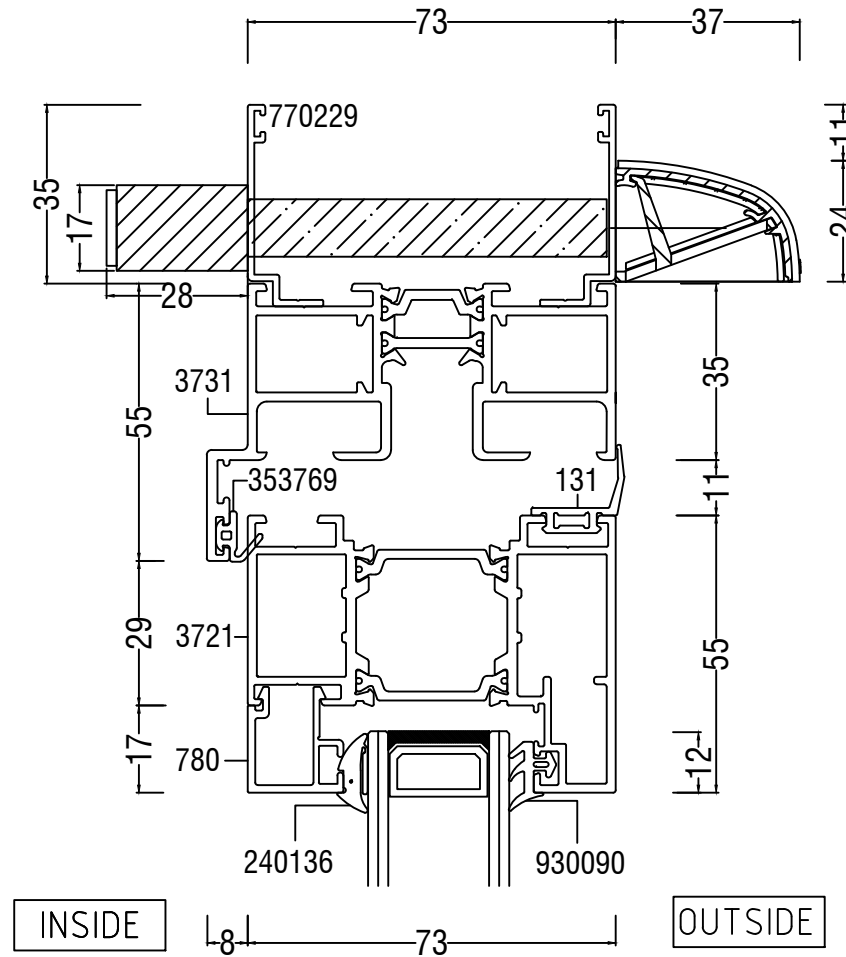
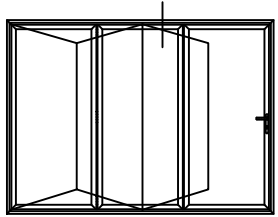
UNIFOLD - Typical Sections

Head - Open In



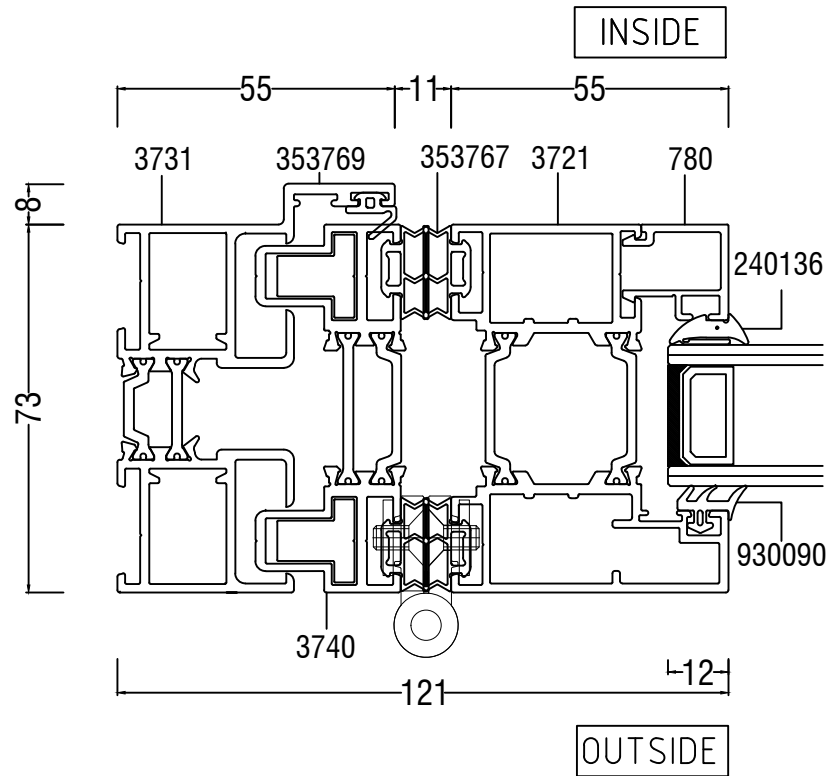
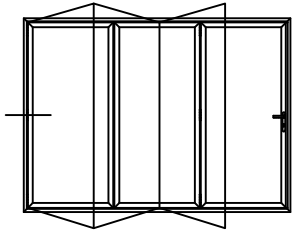
UNIFOLD - Typical Sections

Head - Open In with 20mm Extension + Trickle Vent



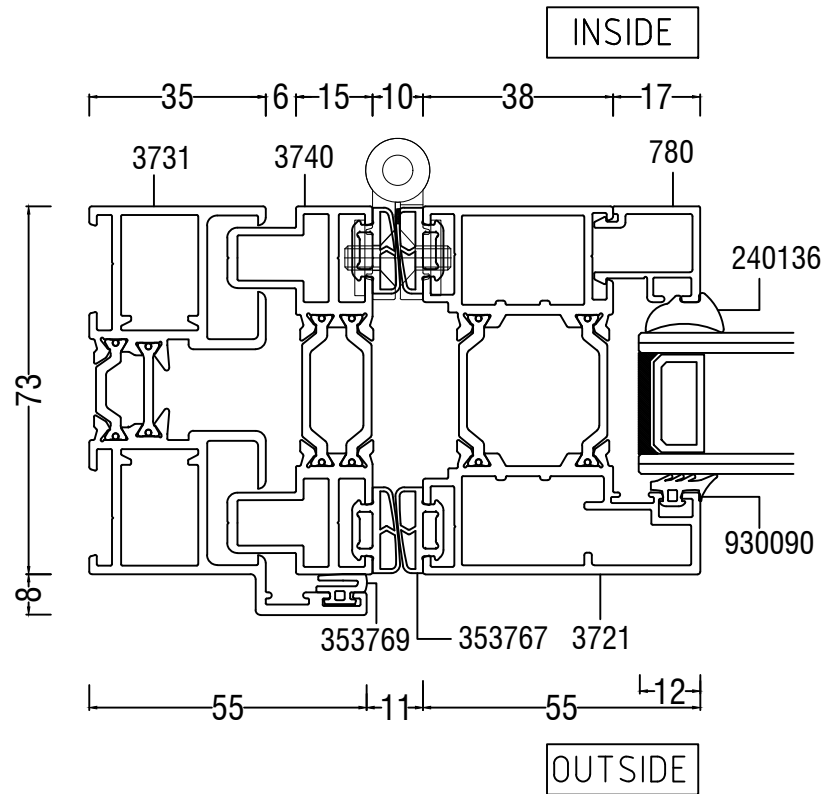
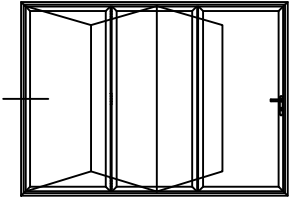
UNIFOLD - Typical Sections

Jamb - Hinged Open Out



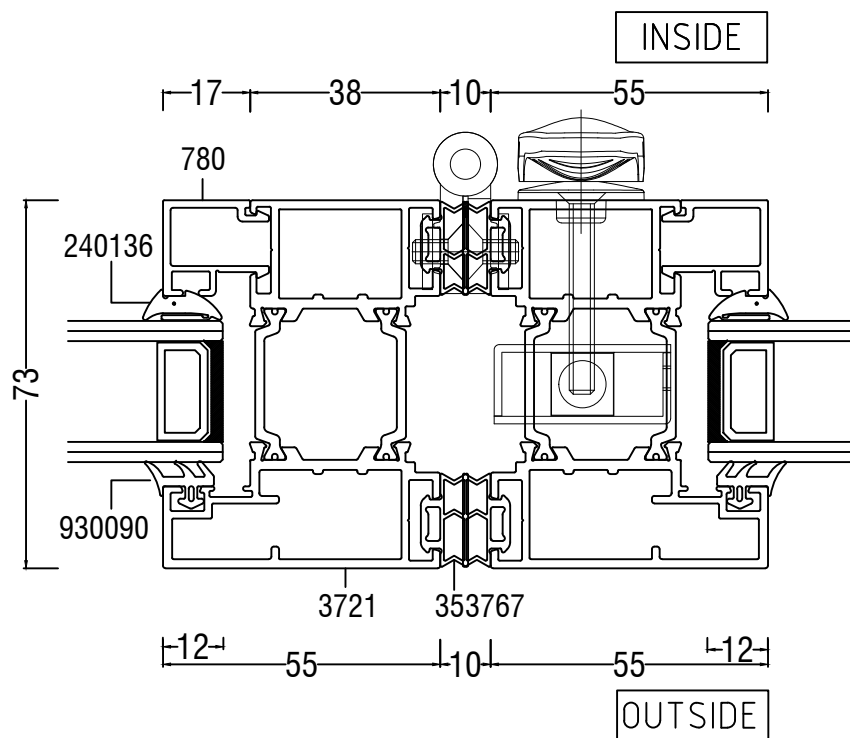
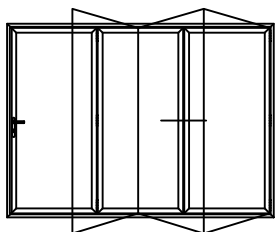
UNIFOLD - Typical Sections

Jamb - Hinged Open In



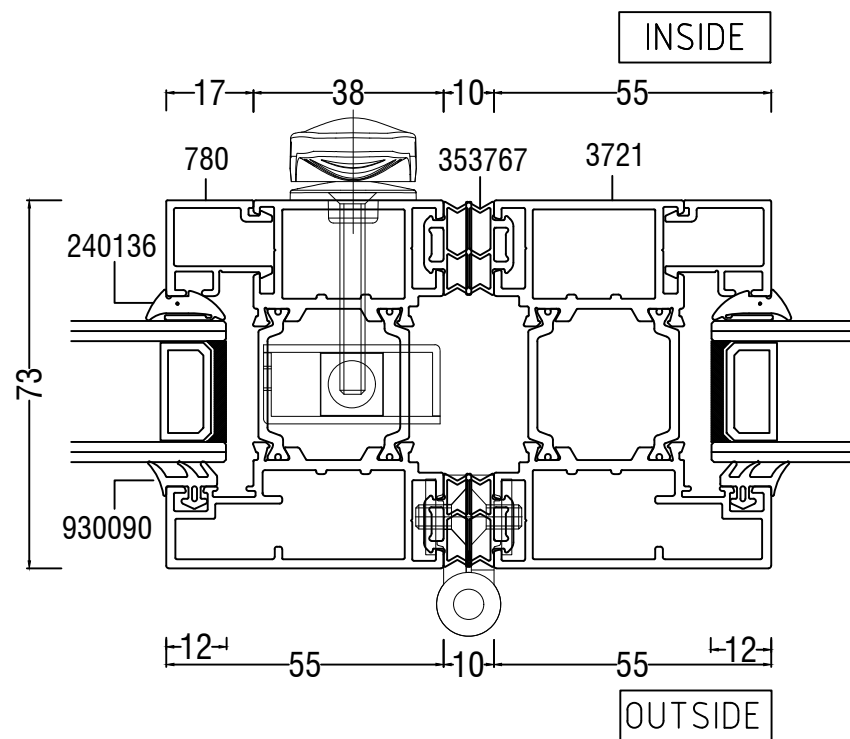
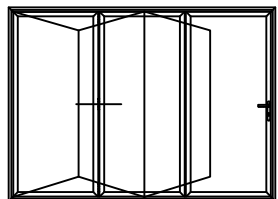
UNIFOLD - Typical Sections

Interlock - T-Handle Open Out



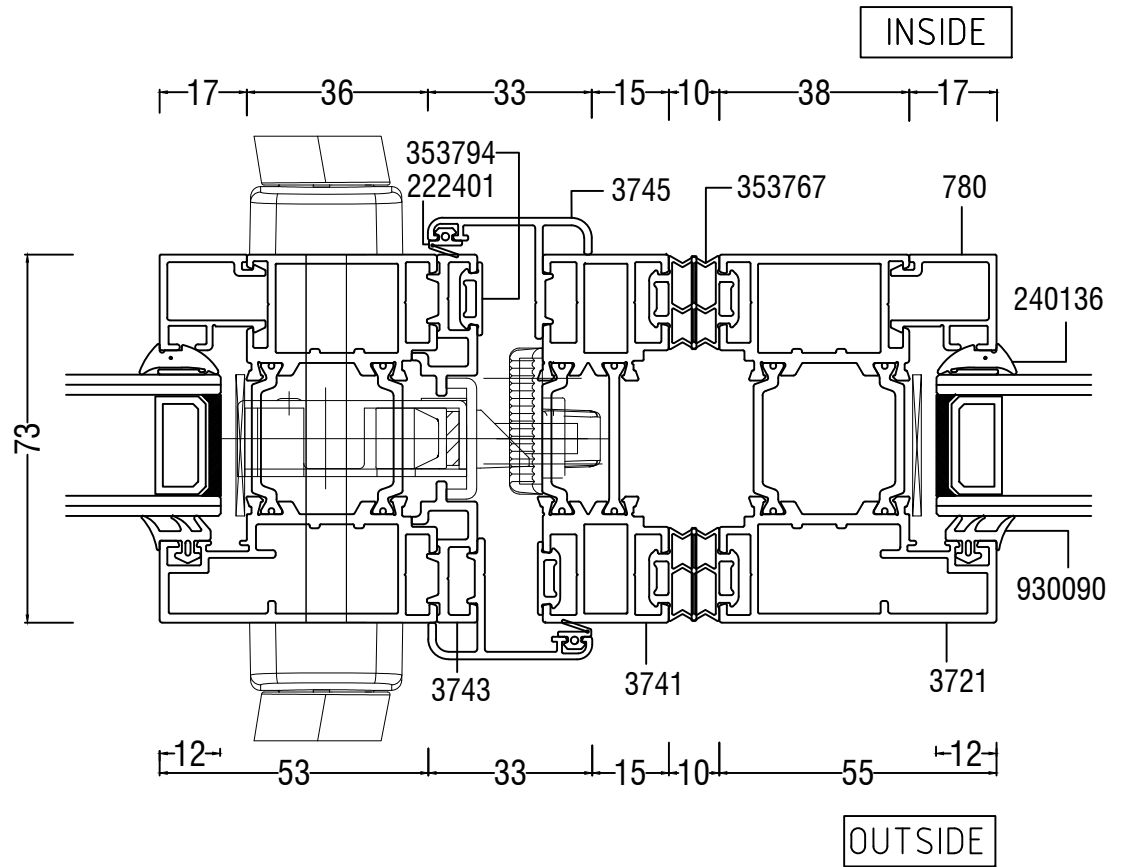
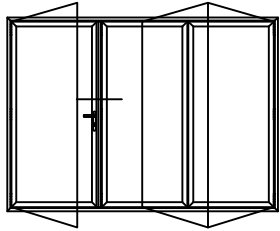
UNIFOLD- Typical Sections

Interlock - T-Handle Open In



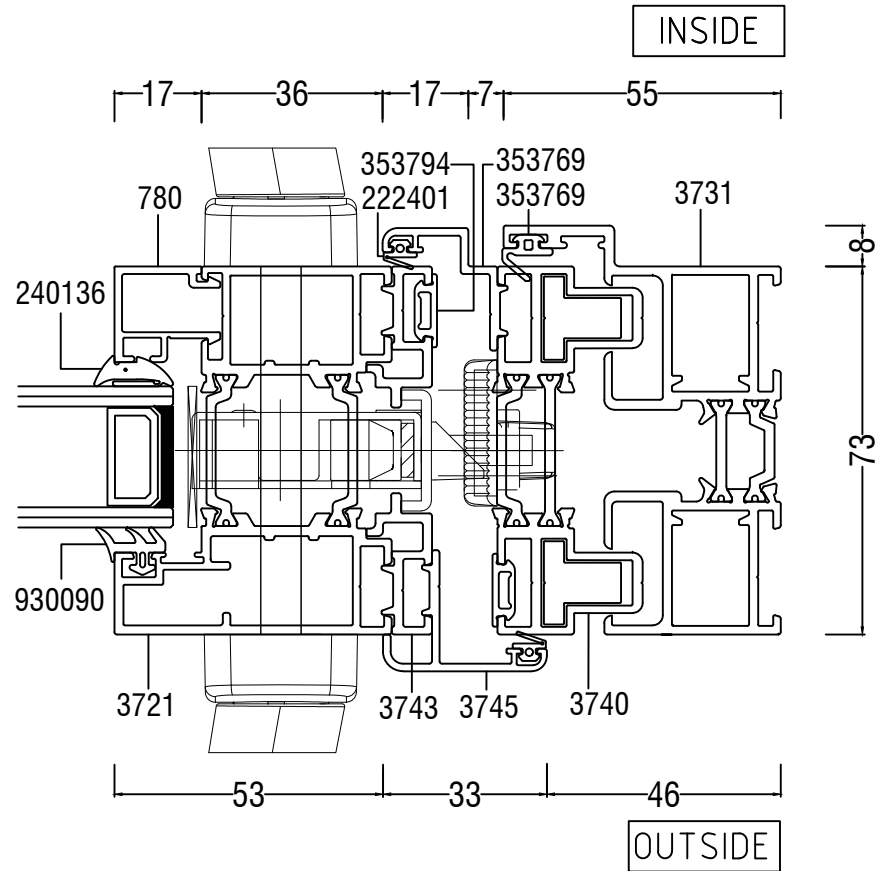
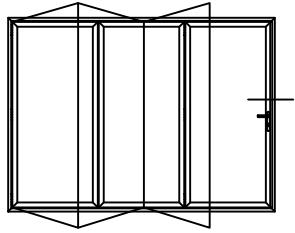
UNIFOLD - Typical Sections

Meeting - Traffic To Even Open Out



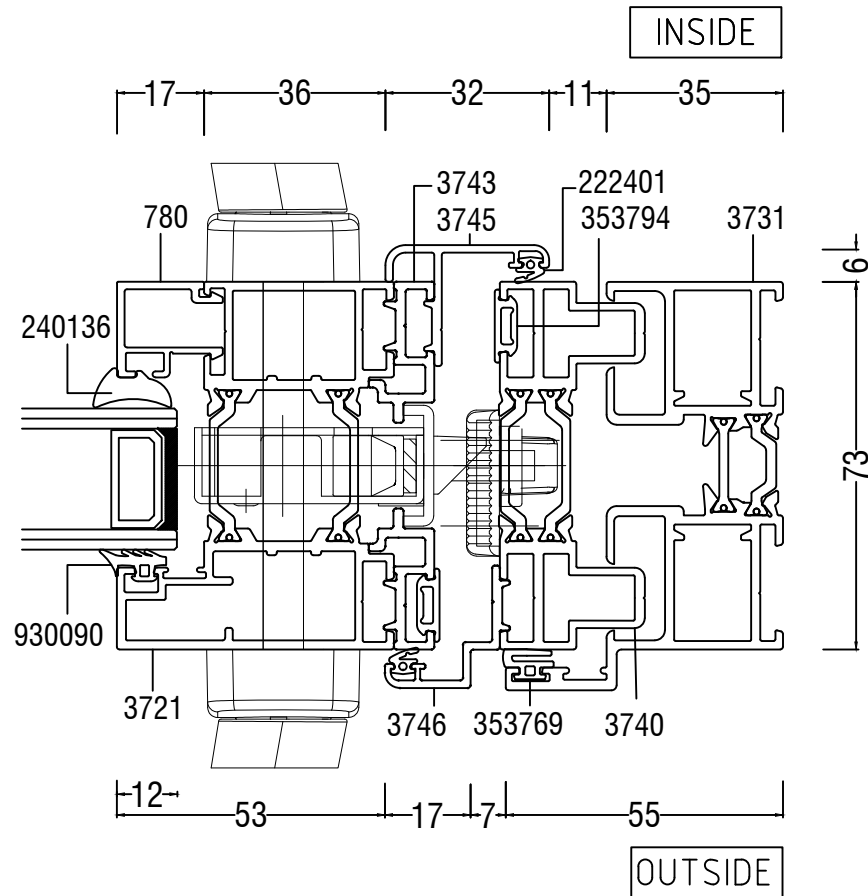
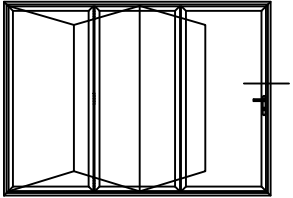
UNIFOLD - Typical Sections

Jamb - Traffic Door Open Out



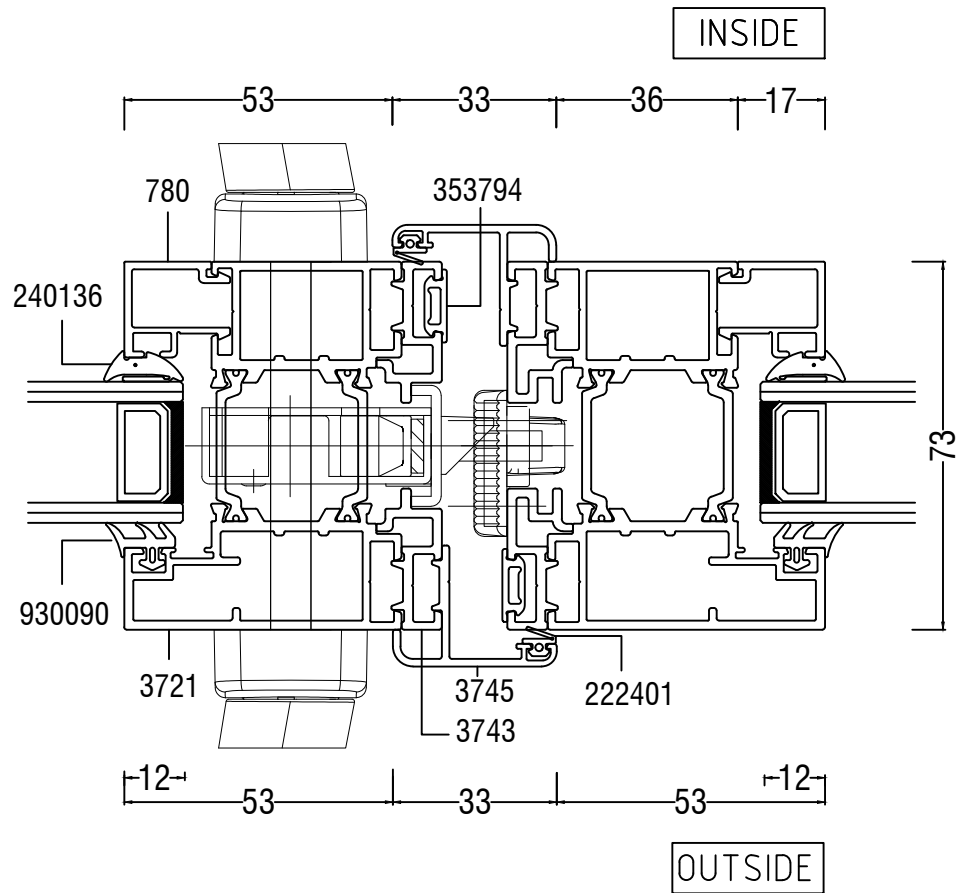
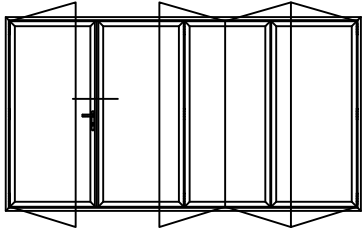
UNIFOLD - Typical Sections

Jamb - Traffic Door Open In



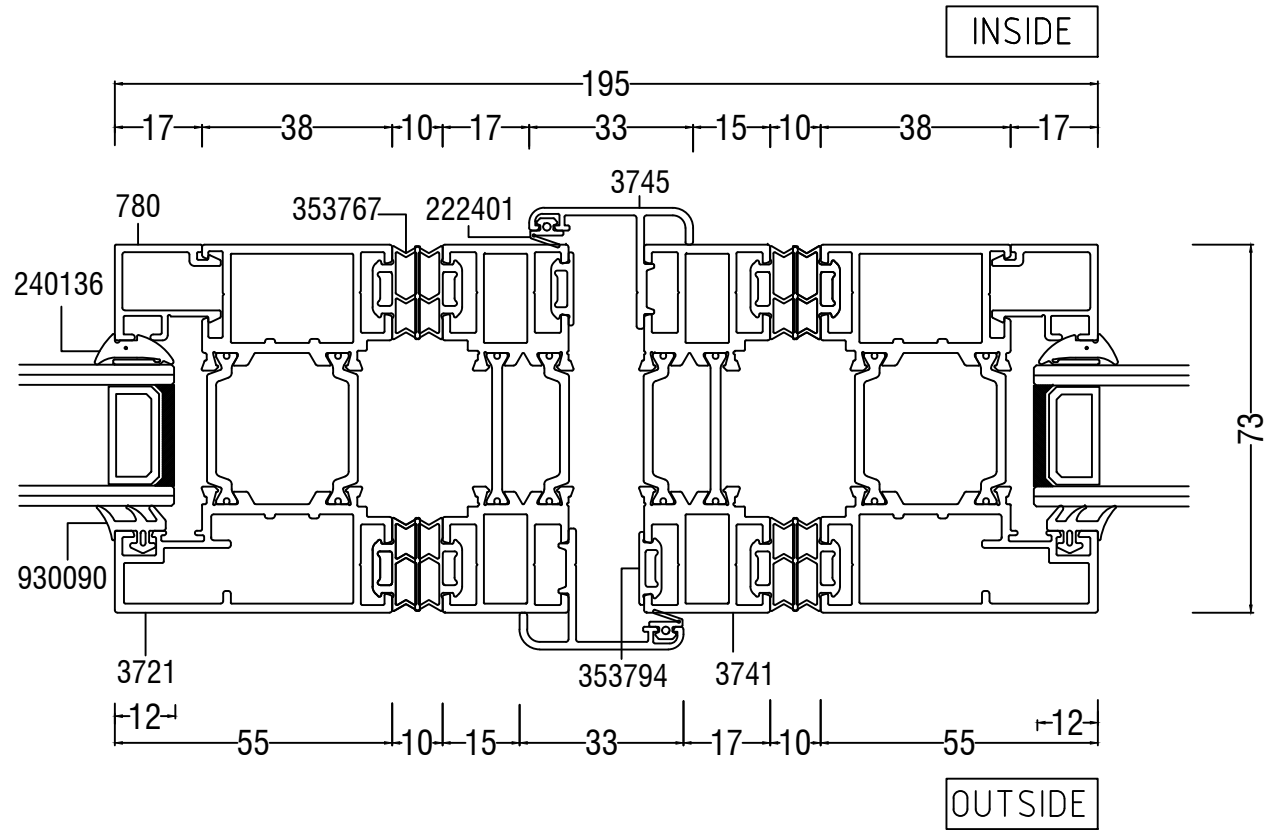
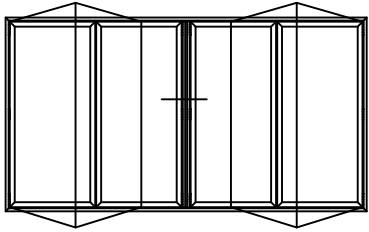
UNIFOLD - Typical Sections

Meeting - Traffic To Odd Open Out



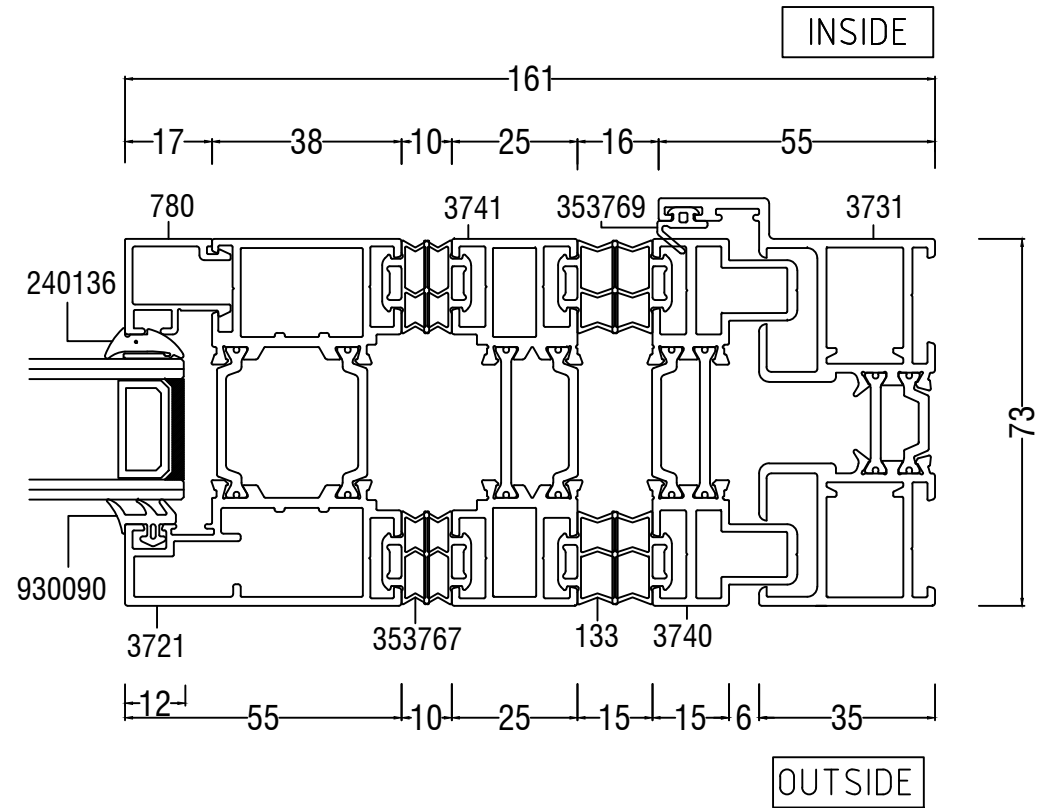
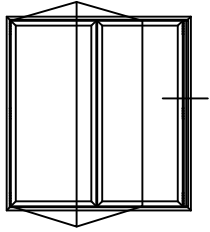
UNIFOLD - Typical Sections

Meeting - Even To Even Open Out - No Traffic Door



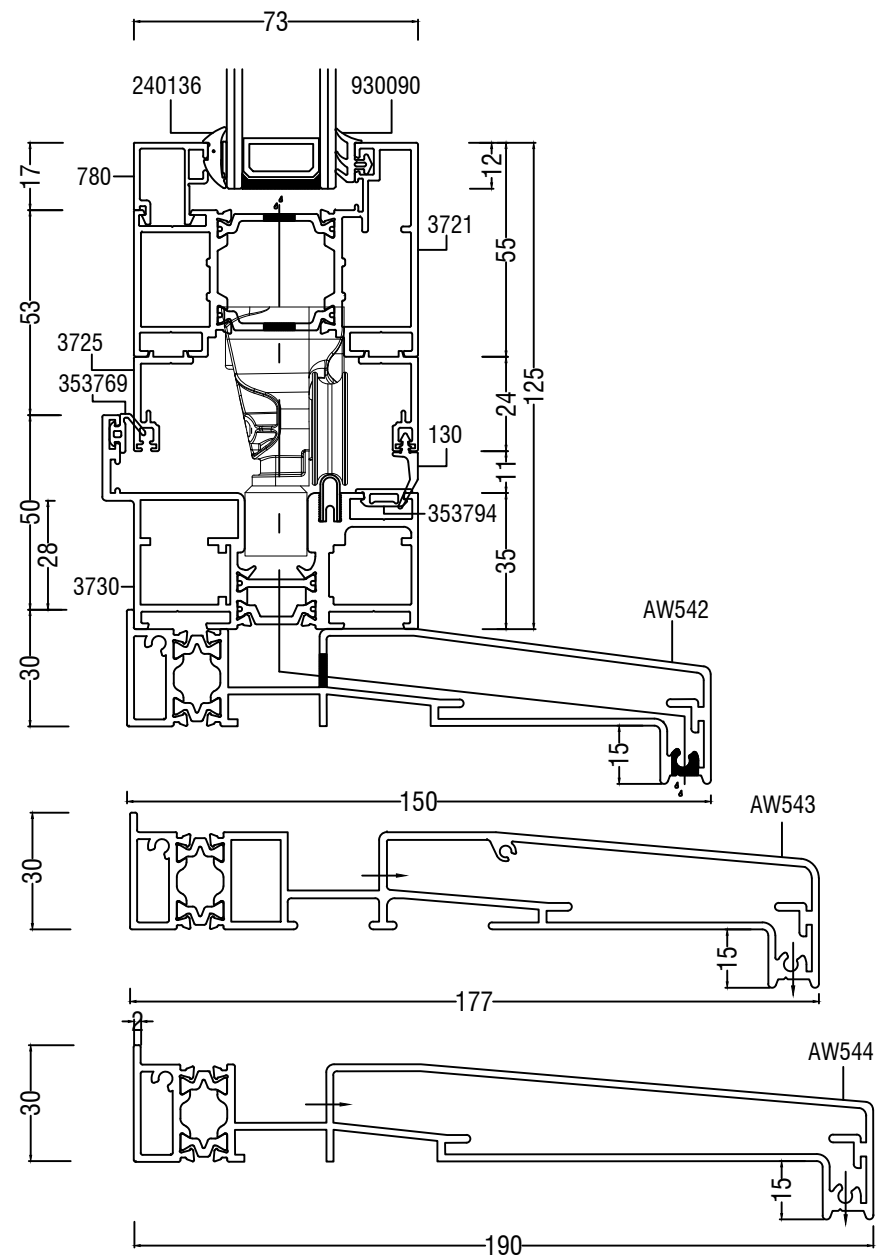
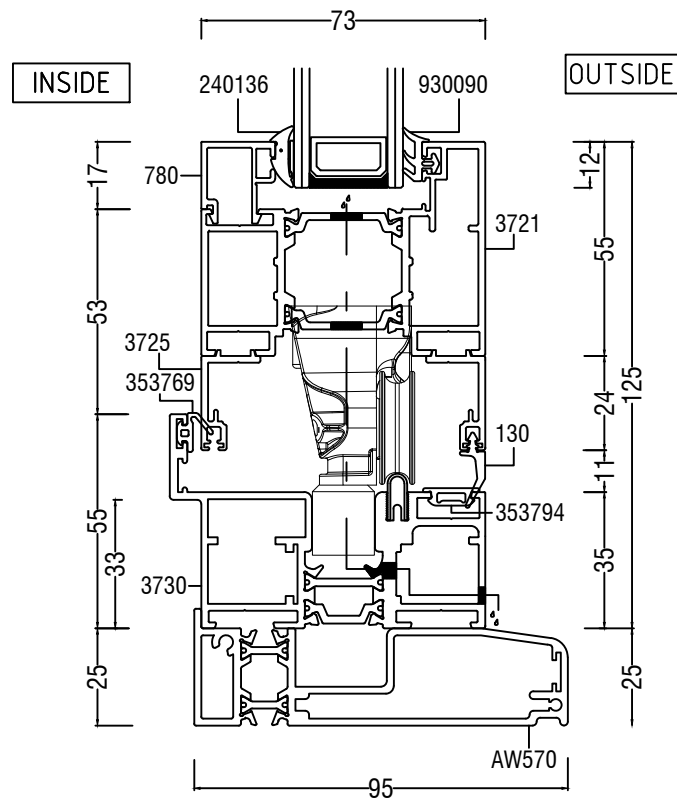
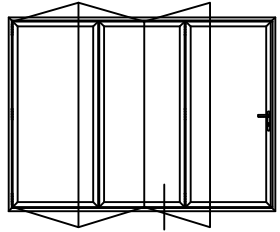
UNIFOLD - Typical Sections

Jamb - Even Configuration - No Traffic Door



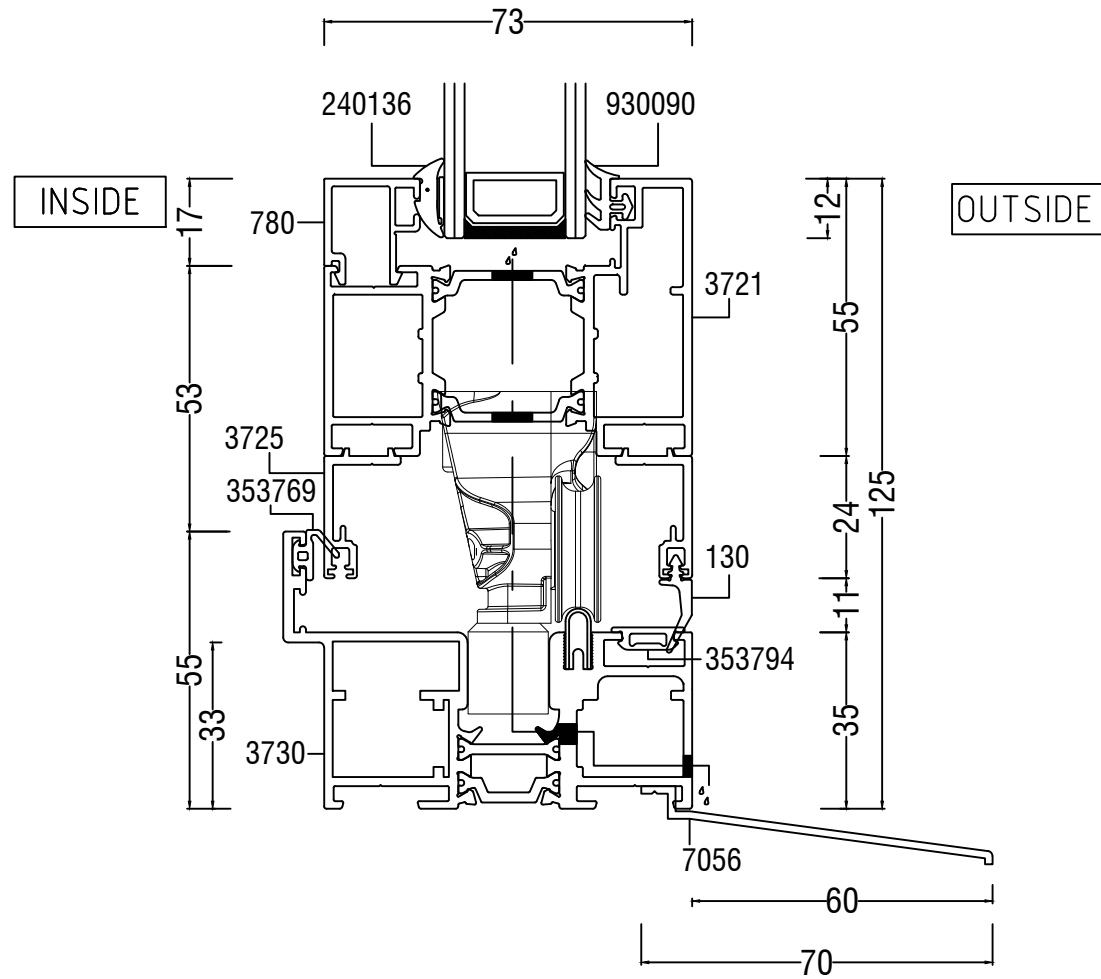
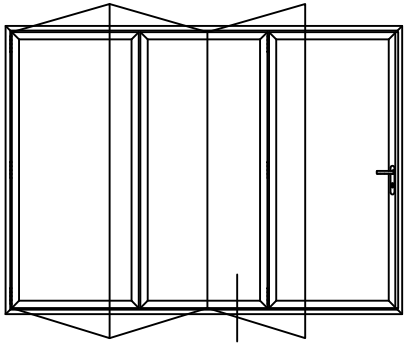
UNIFOLD - Typical Sections

Threshold - Cill Options



UNIFOLD - Typical Sections

Threshold - Cill Nose option





Arkay Windows is a specialist large-scale fabricator with over 30 years experience based in Watford, North West London.

Through growth built on putting our customers first, we have risen to supply some of the country's biggest retail companies, contractors and commercial installers.

 **Arkay Windows**

Watford: 01923 803923
London: 020 8889 6821

sales@arkaywindows.com
www.arkaywindows.com

