



Glass & Glazing Federation Member

Official Police Security Initiative

Arkay Windows is a specialist large-scale fabricator with over 30 years experience based in Watford, North West London.

Through growth built on putting our customers first, we have risen to supply some of the country's biggest retail companies, contractors and commercial installers.

 **Arkay Windows**

Watford: 01923 803923  
London: 020 8889 6821

BSC94@arkaywindows.com

[www.arkaywindows.com](http://www.arkaywindows.com)

**ALUK<sup>®</sup>**

AluK BSC94 Inline Sliding Door

MODERN  
VERSATILE  
PREMIUM

 **Arkay Windows**

## BSC94 INLINE SLIDING DOOR

Combining high performance with stunning design, our sliding aluminium door systems provide a versatile solution for any architectural project. Manufactured to the highest UK standards, this multi-configuration inline system offers outstanding thermal performance and a wide range of customisable options.

### DESIGN FEATURES

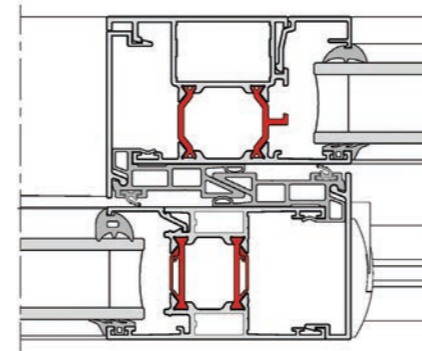
- Accepts 20 – 31mm double glazing
- Max 400kg panel weight
- Certified PAS 24
- Anti bi-metal polyamide strip to allow for varying expansion rates

### OPTIONS

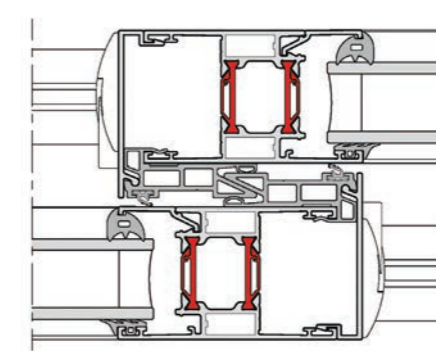
- Available as Lift & Slide
- Slimmer sightline of 45mm available
- Multiple sliding configurations
- Mono, Dual or Tri rail options
- Available in single and dual colour, anodised finishes also available
- Range of hardware and security features



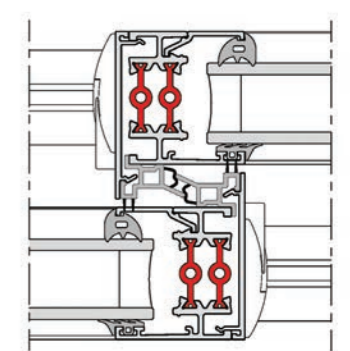
### Mono Rail — Interlock



### Dual/Tri Rail — Standard Interlock



### Dual/Tri Rail — Standard Slimline



## SPECIFICATIONS

PERFORMANCE & ACCREDITATION	BSC94	BSC94SLIM
U-value (Double Glazing)* (Ug = 1.0W/m²K) (Mono Rail)	1.7 W/m²K	✗
U-value (Triple Glazing)* (Ug = 0.7W/m²K) (Mono Rail)	1.5 W/m²K	✗
U-value (Double Glazing)* (Ug = 1.0W/m²K) (Dual Rail)	1.9 W/m²K	1.9 W/m²K
U-value (Triple Glazing)* (Ug = 0.7W/m²K) (Dual Rail)	1.7 W/m²K	1.6 W/m²K
Green Guide Rating	C Rated	C Rated
Acoustic performance (dB)	Rw (C;Ctr) 36 (-1;-3) dB**	npd
Air Tightness (Pa)***	Class 4 (600 Pa)	Class 4 (600 Pa)
Water Tightness (Pa)***	Class 7a (300 Pa)	Class 7a (300 Pa)
Wind Load (Pa)***	C4 (1600 Pa)	C4 (1600 Pa)
Security — PAS24	✓	✗

CONFIGURATION & FRAME	BSC94	BSC94SLIM
Opening	Inline Sliding	Inline Sliding
Mono Rail (105mm)	✓	✗
Dual Rail (94mm)	✓	✓
Tri Rail (155mm)	✓	✓

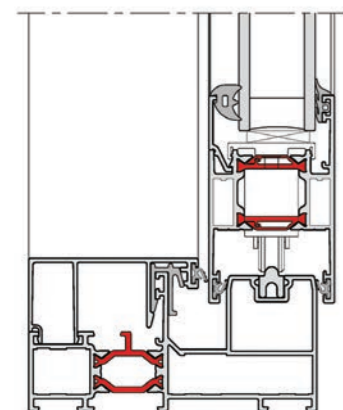
SIZE LIMITS	BSC94	BSC94SLIM
Max Vent Weight****	400 kg	400 kg
Max Frame Height*	3000mm	3000mm
Max Frame Height with Security Features	2600mm	✗

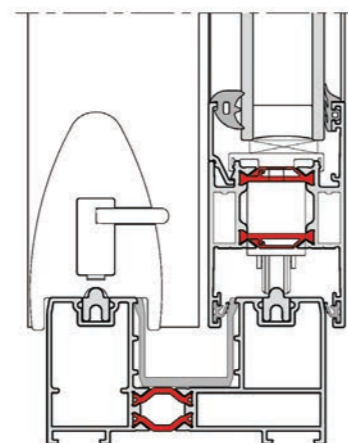
SYSTEM FEATURES	BSC94	BSC94SLIM
Sightline	85mm	45mm
Dual Colour Option	✓	✗
Multi-point Locking	✓	✓
Glazing Options	Internal	Internal
Glazing Thickness	20mm-31mm	20mm-31mm

\* U-Value (Double Glazing) - Single Doors are calculated using EN ISO 10077 - Part 2, 1000mm x 2180mm Single Door with Ug: 1.0 W/m²K using AW604 outerframe and AD200/AD201 vent. Double Doors are calculated using EN ISO 10077 - Part 2, 2000mm x 2180mm Single Door with Ug: 1.0 W/m²K using AW604 outerframe and AD200/AD201 vent.  
 † U-Value (Triple Glazing) - Single Doors are calculated using EN ISO 10077 - Part 2, 1000mm x 2180mm Single Door with Ug: 0.7 W/m²K using AW604 outerframe and AD200/AD201 vent. Double Doors are calculated using EN ISO 10077 - Part 2, 2000mm x 2180mm Single Door with Ug: 0.7 W/m²K using AW604 outerframe and AD200/AD201 vent.

### Mono Rail — Cill



### Dual Rail — Cill



### Tri Rail — Cill

