

ALUK[®]

INFINIUM

A MODERN
MASTERPIECE



Glass & Glazing Federation Member



Official Police Security Initiative

Arkay Windows is a specialist large-scale fabricator with over 30 years experience based in Watford, North West London.

Through growth built on putting our customers first, we have risen to supply some of the country's biggest retail companies, contractors and commercial installers.

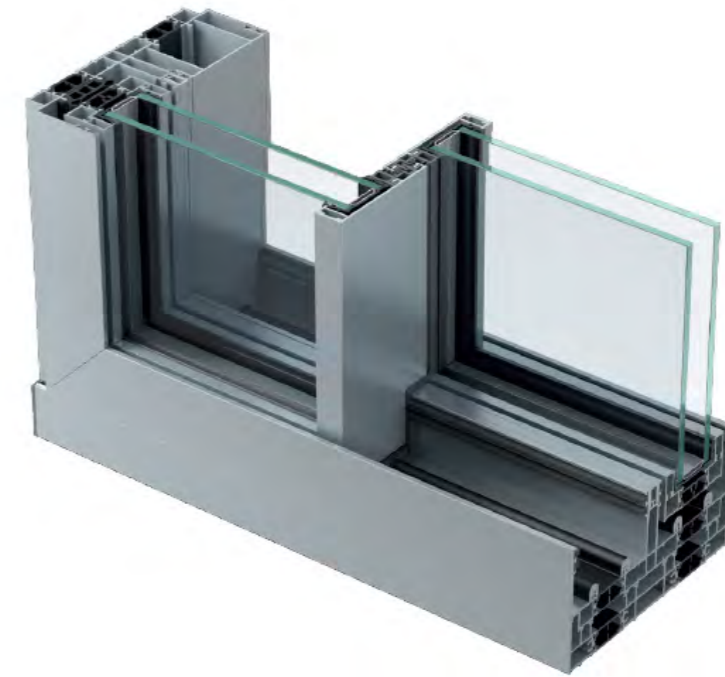


 **Arkay Windows**

Watford: 01923 803923
London: 020 8889 6821

infinium@arkaywindows.com
www.arkaywindows.com

 **Arkay Windows**



Size Limits

Max Sash Weight	400kg
Max Sash Dimension	3000mm (W) 3500mm (H)

FRAME DEPTH	175mm and 262mm
GLAZING THICKNESS	38mm 52mm
DUAL COLOUR OPTION	✓
MINIMUM SIGHTLINE	21mm

PERFORMANCE	
U-VALUE (DOUBLE GLAZING)	From 1.3 W/m ² K
U-VALUE (TRIPLE GLAZING)	< 1.0 W/m ² K
AIR TIGHTNESS	Class 8a (600 Pa)
WATER TIGHTNESS	Class 8a (450 Pa)
WIND LOAD	Class C3 (1200 Pa, up to 160km/h)

INFINIUM

A MODERN MASTERPIECE

A design which impresses from every angle.
The new AluK sliding door system Infinium allows for wide panoramic views with natural daylight and offers greater comfort. Its high levels of thermal and acoustic insulation combined with its wide range of configurations will satisfy any architectural requirements.

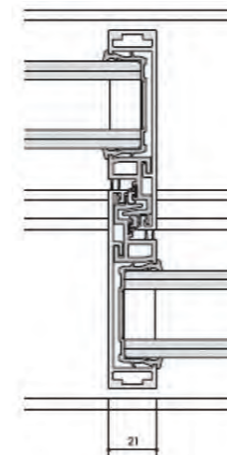
DESIGN FEATURES

- Fully concealed outer-frame
- 21mm central interlock
- Inline sliding door
- Holds up to 400kg panel weight
- One or more opening panels with large width dimensions up to 3000mm (W) and height dimensions up to 3500mm

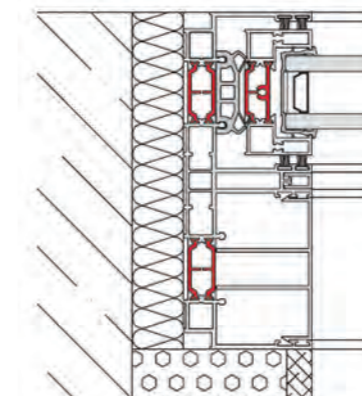
OPTIONS

- Available in double or triple track
- Glazing options of 38mm - 52mm
- Floating corner post option for larger opening space
- Single or dual colour options, also available in anodised or powder coating finishes
- Available in a range of configurations
- Double or triple glazing solutions available on the same outerframe

Interlock



Jamb Detail



Sill Detail

